



ORIGINAL BMW ACCESSORIES.

Intensive driving experiences, even further enhanced: Original BMW accessories are the best match for an original BMW. Whether you're looking for wheels and tyres, transport and luggage compartment solutions, interior equipment, communication, information and technology, charging accessories or M performance parts, with genuine BMW accessories you'll find exactly the individual solution that will allow you to discover driving pleasure as if for the first time.



WHEELS AND TYRES.

With original BMW complete wheels, you'll reach your destination safely, and emphasise the sporty appearance of your BMW from the very first glance. But what you don't immediately realise is that they are precisely tailored to your BMW, are subject to very stringent tests with intensive material and function checks, and have been developed in close collaboration with leading tyre manufacturers – individually tuned to the driving dynamics and design language of each individual BMW model.

TRANSPORT AND LUGGAGE COMPARTMENT SOLUTIONS.

Original BMW Accessories offer you a wide range of transport and luggage compartment solutions. In line with your personal preferences and interests, you can use them to create additional space whenever and wherever you need it. Whether carrier systems or accessories for the luggage compartment, you can always rely on original BMW accessories to be precisely tailored to your BMW, and easy to use.



INTERIOR ACCESSORIES.

A perfect fit: all original BMW accessory products for the interior help to design the interior of your BMW to fully meet your personal preferences. In addition to the excellent functionality of original BMW accessories, you are also always choosing attractive BMW design alongside extraordinary craftsmanship and material quality – combined with an ambience that will excite you every time you drive.



COMMUNICATION, INFORMATION AND TECHNOLOGY.

Cutting-edge functions and features for maximum freedom and flexibility: Original BMW accessories for communication, information and technology are always at your side. Whether you value optimum availability by phone or the best sound, the innovative original BMW accessories will have the right solution for you. You'll always enjoy a good connection and custom entertainment, wherever your journey takes you.

CHARGING ACCESSORIES.

Regardless of where and how you want to charge your new BMW, original BMW charging accessories offer you tailor-made products and services. You can charge your BMW at any domestic socket using the BMW Flexible Fast Charger or, for even more convenience, at a BMW Wallbox from original BMW accessories; what's more, there's also a widespread network of public charging points available for when you're on the road. Innovative Connected Charging services show charging stations in your BMW's information display, for example, or enable you to easily start pre-conditioning your vehicle just using your smartphone.



M PERFORMANCE PARTS.

With M performance parts, you can experience BMW's motorsport DNA with fascinating intensity, even off the racetrack. A wide range of technical and visual components makes outstanding technology a visible and tangible experience. Exclusive materials and first-rate quality guarantee flawless dynamism. Experience inspiring maximum product performance: individual, expressive and uncompromising.

The availability of the equipment shown and described may vary on a market-specific basis. Your local BMW partner will be happy to advise you on the full range of original BMW accessories.

Discover the whole range of original BMW accessories and the BMW M performance parts product portfolio.



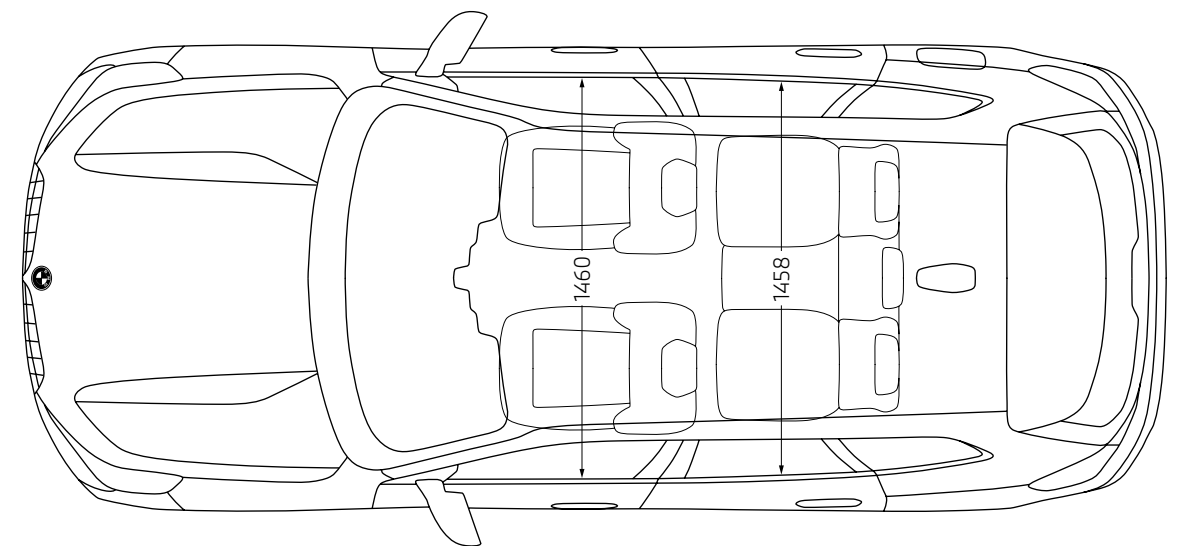
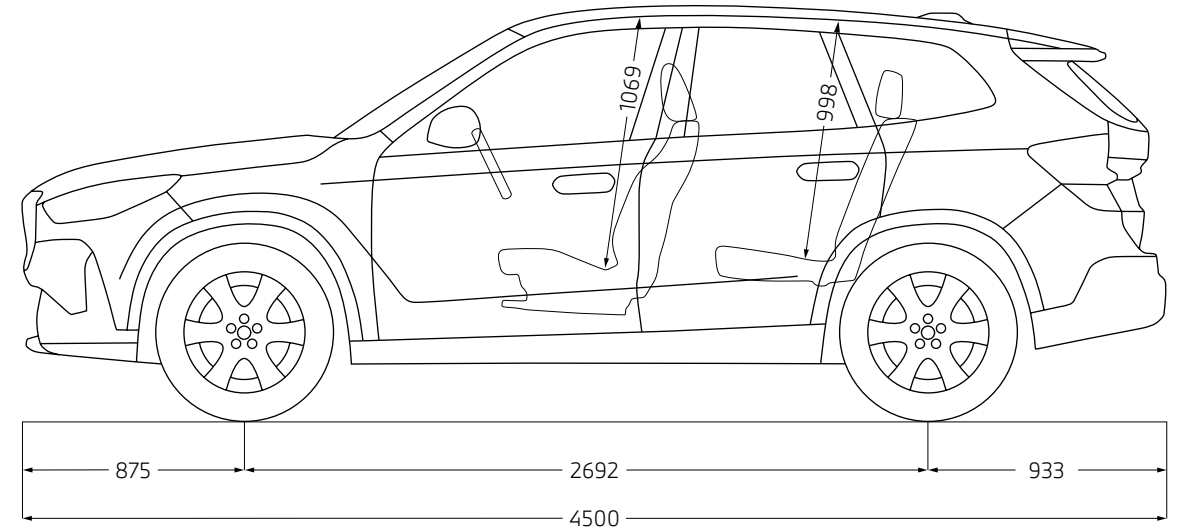
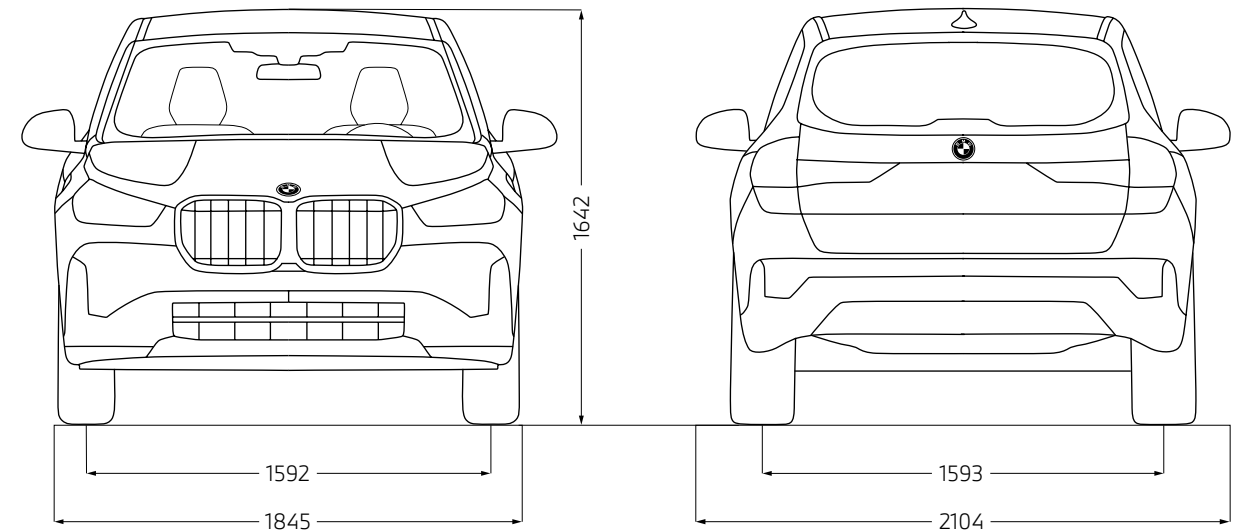
TECHNICAL VALUES.

		X1 sDrive18i	X1 xDrive23i ⁶	X1 sDrive18d	X1 xDrive23d ⁶	X1 xDrive25e ^{7,8}	X1 xDrive30e ^{7,8}	iX1 xDrive30 ^{7,8}
Complete vehicle drive system²								
Drive type		Petrol	Petrol – 48-volt mild hybrid	Diesel	Diesel – 48-volt mild hybrid	Petrol – plug-in hybrid	Petrol – plug-in hybrid	All-electric
Power	kW (hp)	100 (136)	160 (218) ¹¹	110 (150)	155 (211) ¹¹	180 (245) ^{11, 12}	240 (326) ^{11, 12}	230 ⁹ (313 ⁹)
Torque	Nm	230	360	360	400	477 ¹¹	477 ¹¹	494
Transmission		7-speed, automatic	7-speed, automatic	7-speed, automatic	7-speed, automatic	7-speed, automatic	7-speed, automatic	1-speed, automatic
Drive type		Front-wheel drive	All-wheel drive	Front-wheel drive	All-wheel drive	All-wheel drive	All-wheel drive	All-wheel drive
BMW TwinPower Turbo engine²								
Cylinders		3	4	4	4	3	3	-
Capacity	cm ³	1499	1998	1995	1995	1499	1499	-
Output	kW (hp)/rpm	100 (136)/4400–6500	150 (204)/5000–6500	110 (150)/3750–4000	145 (197)/4000	100 (136)/4400–6500	110 (150)/4700–6500	-
Rated torque	Nm/rpm	230/1500–4000	320/1500–4000	360/1500–2500	400/1500–2750	230/1500–4000	230/1500–4400	-
Electric motor⁵								
(Nominal) output / 30 minutes output ¹⁰	kW (PS)	-	14 (19)	-	14 (19)	80/ ⁻⁷	130/ ⁻⁷	200 (272)/ ⁻⁷
(Rated) torque	Nm	-	55	-	55	247	247	⁻⁷
Driving performance								
Acceleration 0–100 km/h	s	9.2	7.1	8.9	7.4	6.8	5.6	5.6
Top speed	km/h	208	233	210	225	190	205	-
Top speed (electric)	km/h	-	-	-	-	140	140	180
Consumption / CO₂ emissions^{2,3}								
Fuel consumption, combined WLTP ³	l/100 km	7.0–6.3	7.2–6.5	5.5–4.9	5.3–4.8	1.1–0.8	1.1–0.8	-
CO ₂ emissions, combined WLTP	g/km	158–143	162–146	144–129	140–125	24–17	24–17	-
Consumption, electrical, combined WLTP	kWh/100 km	-	-	-	-	18.2–16.4	18.2–16.4	18.4–17.3
Electric range WLTP ⁴	km	-	-	-	-	78–89	78–89	413–438
High-voltage/48-volt battery, charging¹⁴								
Battery size	kWh	-	0.86	-	0.86	14.2	16.3 / 14.2	62.4
Maximum charging power AC / DC	kW	-	-	-	-	7.4 / ⁻⁷	7.4 / ⁻⁷	11 [22] / 130
Charging time DC 10–80%	h	-	-	-	-	-	-	00:29
Recharged range after 10 minutes of high-power charging	km	-	-	-	-	-	-	-
Charging time AC 0–100%	h	-	-	-	-	< 02:30	< 02:30	06:30 [03:45]
Dimensions/weight								
Length / width / height	mm	4500 / 1845 / 1642	4500 / 1845 / 1642	4500 / 1845 / 1642	4500 / 1845 / 1642	4500 / 1845 / 1630	4500 / 1845 / 1630	4500 / 1845 / 1612
Wheelbase	mm	2692	2692	2692	2692	2692	2692	2692
Unladen weight ¹	kg	1575	1730	1650	1765	1930	1935	2085
Luggage capacity	l	540–1600	500–1545	540–1600	500–1545	490–1495	490–1495	490–1495
Fuel tank capacity	l	45	45	45	45	47	47	-
Trailer load optionally braked ex works up to 12% / trailer load	kg	1700 / 80	2000 / 80	1800 / 80	2000 / 80	1700 / ⁻⁷	1800 / ⁻⁷	1200 / ⁻⁷

The figures for driving performance, fuel consumption and CO₂ emissions refer to vehicles with standard transmission.

- The EC unladen weight refers to a vehicle with standard equipment and does not include any optional equipment. The unladen weight includes a 90% full tank and a driver weight of 75 kg. Optional equipment may affect the weight of the vehicle, the payload and the top speed if the selected equipment has an impact on the vehicle's aerodynamics.
- Performance data of petrol engines applies to vehicles using RON 98 grade fuel. Fuel consumption data applies to vehicles using reference fuels in accordance with EU Regulation 2007/715. Unleaded RON 91 fuel and higher with a maximum ethanol content of 10% (E10) may also be used. BMW recommends RON 95 unleaded premium grade fuel.
- Official data for fuel consumption, carbon dioxide emissions, power consumption and electric range was determined in accordance with the measuring procedures described and complies with European Regulation (EU) 715/2007 in the applicable version. For ranges, data determined as per WLTP takes into account any optional equipment (available on the German market in this case). For vehicles that have been newly type approved since 1 January 2021, only the official data according to WLTP exists. For more information about NEDC and WLTP measuring procedures visit www.bmw.com/wltp
- Range depends on various factors. In particular: personal driving style, route characteristics, exterior temperature, heating/air conditioning, pre-conditioning.
- At temperatures below freezing, the fully electric drive system is only available after a few kilometres of driving, once the battery has heated to operational temperature.
- This engine version is not available in all countries. For further information, please contact your local BMW authorised workshop.
- Provisional figures; any missing figures were unavailable at the time of publication.
- Expected to be available from 11/2022.
- Temporary increase <10 seconds compared to specified nominal value.
- Continuous output BEV 30 minutes.
- Comprises engine driven (specified nominal value) and electric drive (up to specified nominal value).
- Power depends on the battery charge.
- For plug-in hybrid: weighted, combined (EC AC charge weighted)
- Charging times/charging rate specified under optimal conditions (29–33 degrees Celsius battery start and ambient temperature with certification values excluding additional auxiliary consumers such as seat heating, displays, air-conditioning system)

TECHNICAL VALUES.



All dimensions in the technical drawing are given in millimetres.

BMW CHARGING.



CHARGING.

Convenient, fast and safe charging – your BMW makes this possible via the high-voltage charging socket on the side of the vehicle. The charging power socket for electric vehicles can be found on the right of the vehicle at the rear, and for plug-in hybrid electric vehicles at the front on the left.

Comfort functions make operation easier: in the dark, the search light in the charging power socket ensures that you can easily plug in the charging cable. Everything in view: the LED display of the charging power socket informs you of the current battery charge in various colours.

A temperature sensor also increases safety. It measures the temperature at the plug-in contacts and can detect potential overheating at an early stage.

The charging power socket locks and unlocks the charging plug automatically during the charging process so that it cannot be removed. If the charging plug can no longer be disconnected from the vehicle, the electrical emergency release helps in an emergency.

To keep the waiting time at AC charging stations to a minimum, you can recharge your electric vehicle there with a charging capacity of up to 11 kW. The high-voltage battery can be charged even faster at DC charging stations. Here you benefit from a charging capacity of up to 130 kW. Plug-in Hybrid Electric Vehicles, on the other hand, charge at AC charging stations with up to 7.4 kW as standard.



CHARGING AT HOME.

Charging at home is particularly easy with the included Flexible Fast Charger. It can be used to charge your BMW X1 plug-in hybrid or your BMW iX1 from any domestic or industrial plug socket, depending on your individual charging infrastructure. A Wallbox is an even faster, more convenient way of charging. BMW offers different Wallboxes for this purpose – including an installation service on request.

BMW CHARGING.



PUBLIC CHARGING.

Regardless of where you are and what you are planning – you can go anywhere you want to go with your BMW electric vehicle. A fast charging cable (mode 3) for public charging is also supplied with your plug-in hybrid or all-electric BMW for hassle-free charging on the move. The BMW Charging card is also included in the scope of delivery. This gives you access to a constantly growing network of public charging stations from various operators in inner cities as well as along important European traffic transit routes. Simply use BMW Maps in your vehicle or the My BMW App on your smartphone to find nearby charging points.



BMW CONNECTED CHARGING.

With the Connected Charging digital services, you use the range of your BMW i model efficiently while remaining flexible at all times. The system assists you in the search for public charging stations and provides important information in advance. The app also gives you an overview of relevant vehicle data.



BMW SERVICE.



Always there for you: Your BMW Service Partner is there for helpful, expert support for everything to do with your BMW. Our aim is to make every journey in your BMW as pleasant as possible. A major worldwide network of workshops offers premium service from BMW specialists, innovative diagnostic technologies, and rapid availability of precisely fitting original BMW parts as well as original BMW engine oil. There are many great reasons to choose services from BMW, but there's one that really stands out: that driving pleasure that sets your BMW apart from the crowd will be yours to enjoy for many years to come with BMW Service.

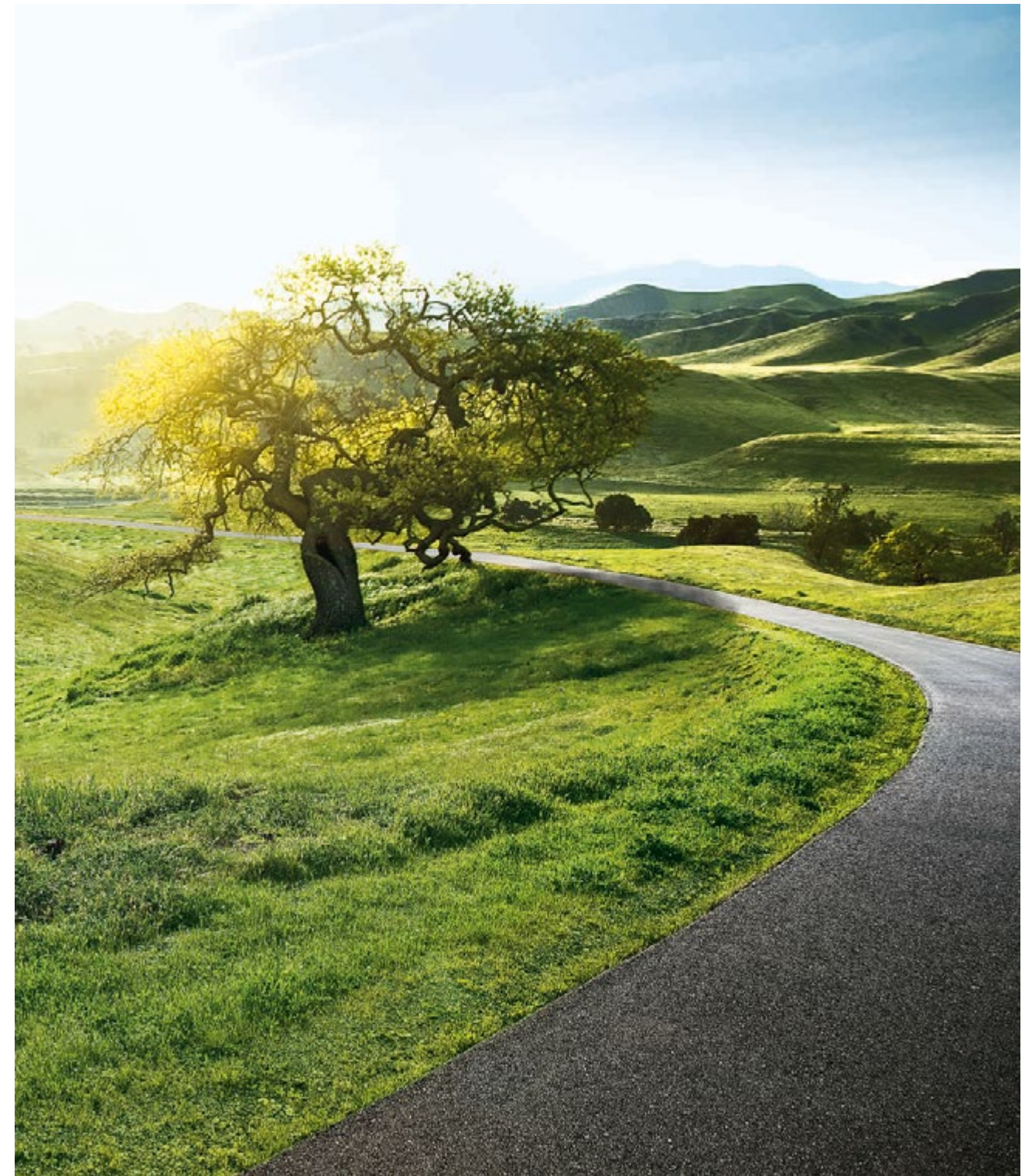
WHEREVER, WHENEVER: OUR COMPREHENSIVE SERVICE.

Many BMW services can be easily booked and tracked online – so you can use your time for the really important things in life. Stay independent and flexible with online appointments and remote services.

Take advantage of our innovative digital products and services such as online video advice, and get all the relevant information on your smartphone. And if you don't want to stop but have no choice, our BMW Breakdown and Accident Assistance service will help.



SUSTAINABILITY.



The BMW Group has been finishing at the top end of independent ratings and rankings that assess sustainability for a long time. These successes and increasing challenges in protecting the world we live in encourage us to embed sustainability as a key aspect in our corporate strategy. The development of efficient vehicle concepts, the establishment of eco-friendly production processes and the implementation of sustainable processes at our suppliers is part of our philosophy. Efficiency-enhancing technologies such as BMW EfficientDynamics and consistent electrification have enabled us to cut the CO₂ emissions of our

fleet of vehicles in Europe by 50% between 1995 and 2020. In addition, between 2006 and 2020 we have reduced the consumption of water by 31% and the consumption of energy in production by 38%. Our plants worldwide use green electricity only. Since 2021 our plants have even been producing completely carbon neutrally. And, of course, each of our vehicles is designed for easy or economical recycling after its long-running life. Please contact your BMW partner on all matters regarding your end-of-life vehicle. For more information on this issue please visit our website.

Of course, each vehicle is designed for economical recycling after its long-running life. You can find more information regarding your end-of-life vehicle on our website www.bmw.de/recycling

© BMW AG, Munich, Germany. Not to be reproduced wholly or in part without prior written permission of BMW AG, Munich.

411 001 246 20 2 2022 CB.